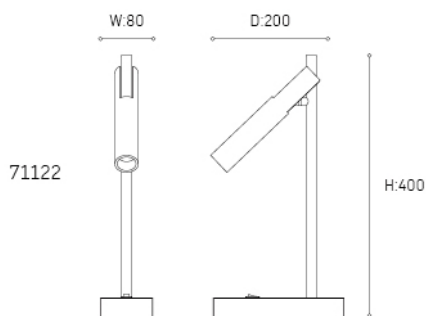


71122



Bedroom table light, can adjust the light effect easy as you like.

- LED: High voltage LED module/HONGLI or EPISTAR(SMD 2835 LED)
- PF: >0.5
- RA: >80
- Input voltage: 220~240V 50/60Hz
- Warranty: 3 years
- CCT: 2700K
- Energy efficiency: Variable LED lamps of the efficiency class A



| Article no. | Description. | Features. | Lumens. |
|-------------|---------------|---|---------|
| 71122 | LED Desk Lamp | Aluminium and Iron shell / SMD LED 6W 2700K | 320lm |